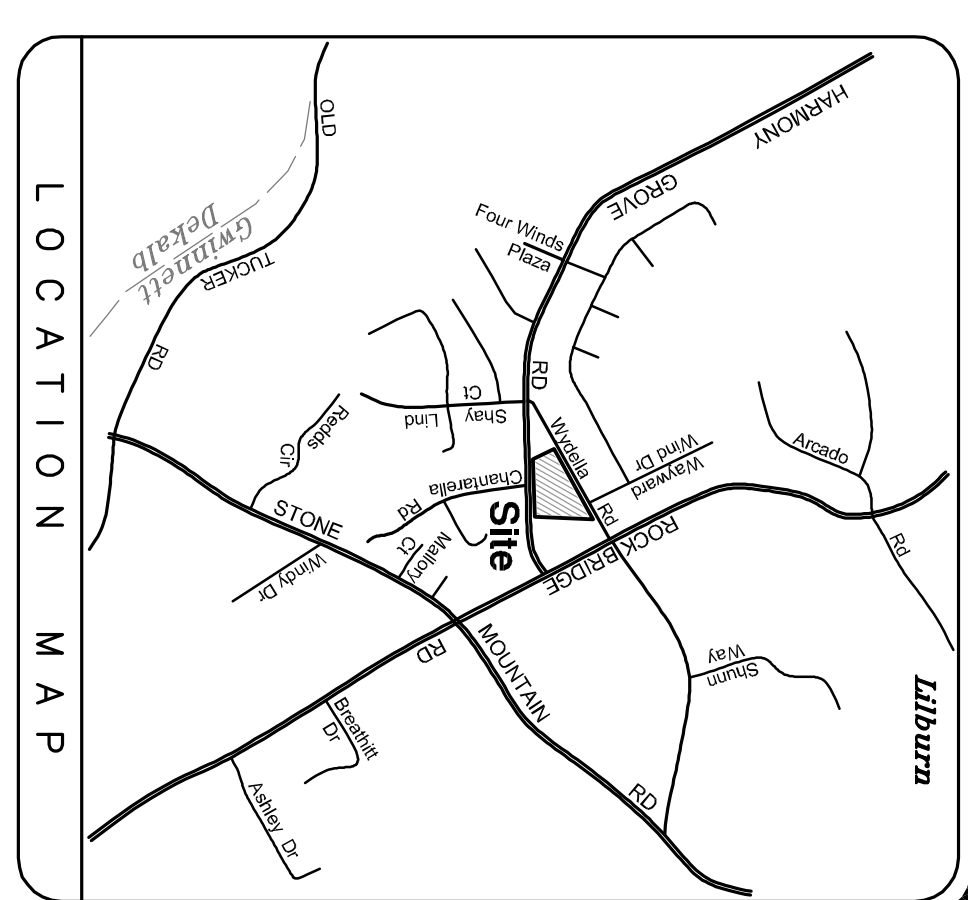
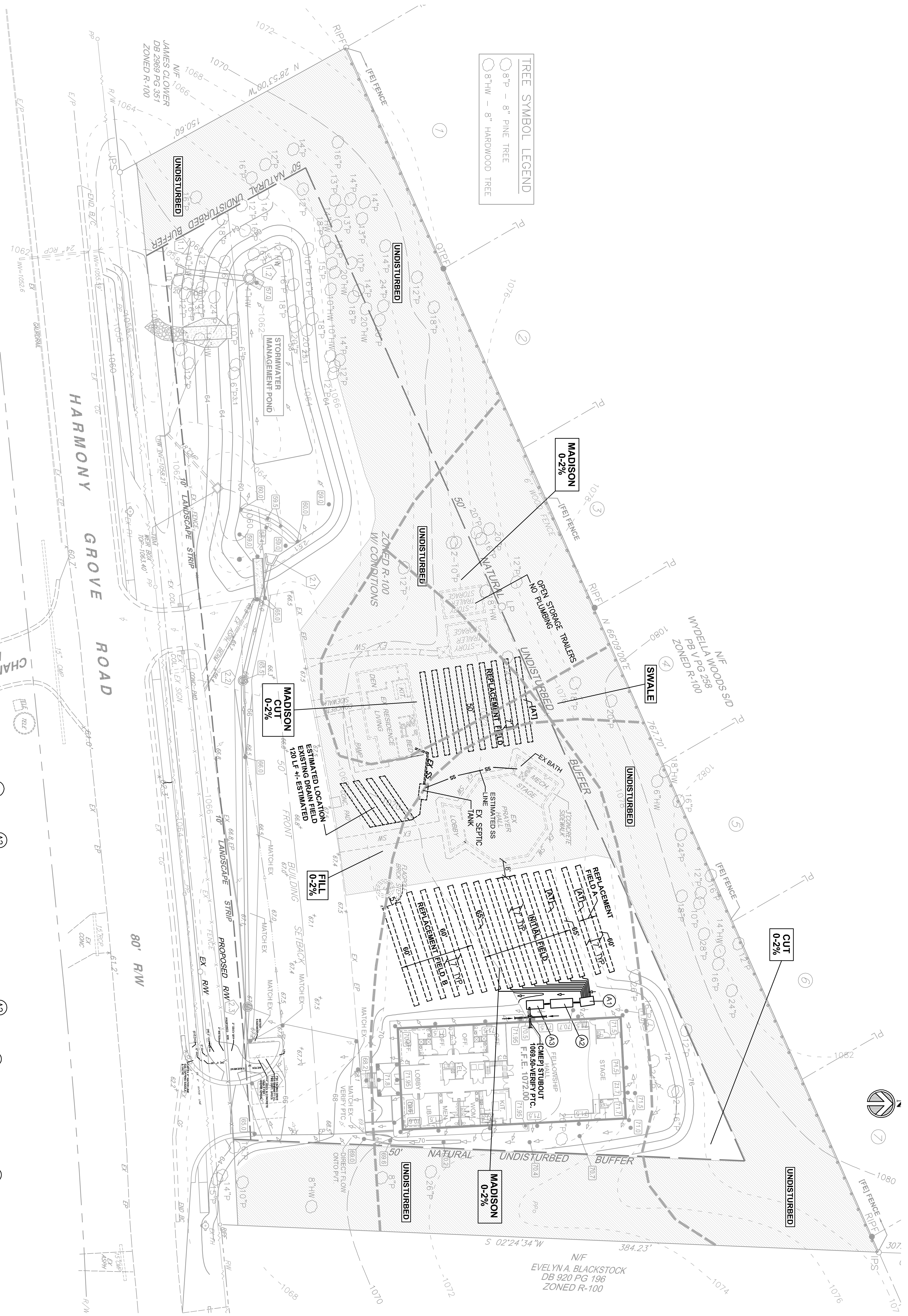


TREE SYMBOL LEGEND
 ○ 8" P - 8" PINE TREE
 ○ 8" HW - 8" HARDWOOD TREE



ONSITE WASTEWATER DISPOSAL SYSTEM CALCULATIONS:

1. REFERENCED MATERIALS:
 A. GEORGIA STATE MANUAL FOR ONSITE SEWAGE MANAGEMENT SYSTEMS, CURRENT EDITION.
 B. SYSTEM DESIGN AND CALCULATIONS ARE BASED ON AND SUBJECT TO THE SOIL SURVEY AND SOIL INVESTIGATION REPORT FOR VEDIC TEMPLE BY KENOLL ASSOCIATES, INC. (CPSSC, SOIL SCIENTIST #124, AND RECOMMENDATIONS, DATED 12-03-08).

2. DESIGN LOAD FACTORS:
 CHURCHES: 7 GARAGE/RESIDENTIAL: TABLE D1-2 PERCOLATION RATE = 66 MINUTES/INCH (FROM SOIL REPORT) ABSORPTION FIELD AREA PER BEDROOM = 345 SF

3. TOTAL DAILY FLOW:
 CHURCH:
 PRAYER HALL SEATING CAPACITY = 150
 150 SEATS (7 GPD) = 1050 GPD
 TOTAL DAILY DESIGN FLOW = 1050 GPD

RESIDENCE:
 BEDROOM(S) = 1
 1 BEDROOM (945 SF ABSORPTION FIELD AREA) = 345 SF FIELD AREA

3. DESIGN LOADING RATE:
 TABLE G1-7: PERCOLATION COEFFICIENT "C" = 517*0.5
 T = 48 MINUTES/INCH = 5845*0.5 = 0.745 GPD/SF
 T = 60 MINUTES/INCH = 6690*0.5 = 0.82 GPD/SF

4. DRAIN FIELD DESIGN:
 CHURCH:
 INITIAL DRAIN FIELD AREA REQUIRED:
 1,050 GPD / 0.745 GPD/SF = 1410 SF ABSORPTION AREA
 INITIAL DRAIN FIELD TRENCH LENGTH REQUIRED:
 1410 SF / 3.0' TRENCH WIDTH = 470 LF TRENCH REQUIRED

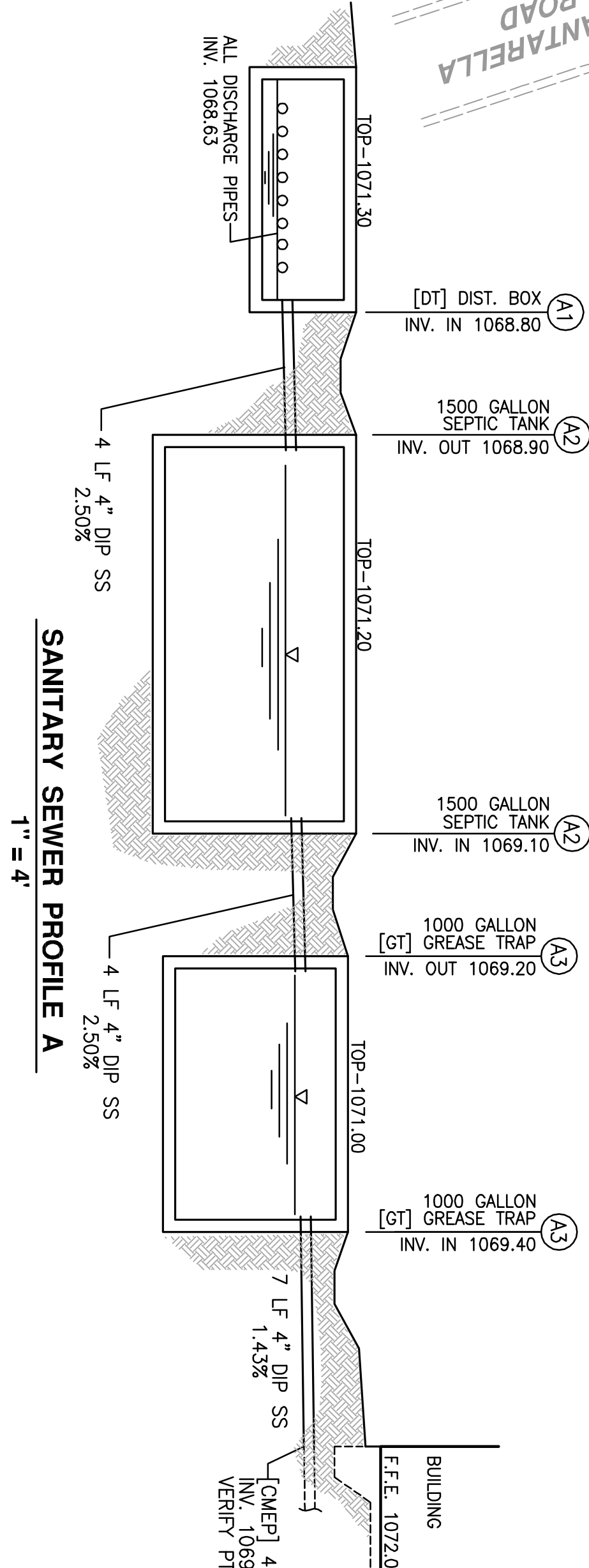
RESIDENCE:
 LOADING RATE: 345 SF ABSORPTION AREA PER BEDROOM
 DRAIN FIELD TRENCH LENGTH REQUIRED:
 345 SF / 3.0' TRENCH WIDTH = 115 LF TRENCH REQUIRED

5. DRAIN FIELD PROVIDED:
 CHURCH:
 INITIAL DRAIN FIELD AREA PROVIDED:
 8 LINES @ 65' = 520 LF
 REPLACEMENT DRAIN FIELD AREA PROVIDED:
 REPLACEMENT FIELD A: 2 LINES @ 60' = 120 LF
 REPLACEMENT FIELD B: 6 LINES @ 60' = 360 LF
 TOTAL REPLACEMENT FIELD = 480 LF

RESIDENCE:
 EXISTING DRAIN FIELD AREA PROVIDED: UNKNOWN
 REPLACEMENT DRAIN FIELD AREA PROVIDED:
 9 LINES @ 50' = 450 LF

6. GREASE TRAP:
 REQUIRED TRAP CAPACITY = M x GM x LF = TRAP CAPACITY
 M = MEALS PER DAY
 GM = GALLONS PER MEAL (6 GALLONS PER MEAL)
 LF = LOADING FACTOR
 1.0 WITH DISHWASHING, 0.5 WITHOUT DISHWASHING
 REQUIRED TRAP CAPACITY = 150 x 5 x 1.0 = 750 GALLONS

7. EXISTING ONSITE WASTEWATER DISPOSAL SYSTEM:
 7.1 NO VARIATION DESIGN OR CERTIFICATIONS MADE OR IMPLIED FOR THE EXISTING ONSITE WASTEWATER DISPOSAL SYSTEM. EXISTING SYSTEM AS SHOWN IS BASED ON FIELD OBSERVATIONS AND ESTIMATES ONLY. THE EXISTING SYSTEM OPERATES UNDER SEPARATE PERMIT.
 7.2 THE EXISTING BATH AT THE REAR OF THE EXISTING PRAYER HALL WILL BE USED ONLY FOR THE CARETAKERS AND STAFF. THE CONGREGATION MUST USE THE BATH FACILITIES IN THE FELLOWSHIP HALL.
 7.3 NO PART OF THE PROPERTY WILL BE USED AS A SCHOOL.



ONSITE WASTEWATER DISPOSAL PLAN

DATE	REVISIONS
03-01-10	REVISED PER COUNTY COMMENTS
05-28-10	REVISED PER COUNTY COMMENTS
07-01-10	REVISE DECEL LANE PER COUNTY COMMENTS
03-10-11	REVISED PER COUNTY COMMENTS
04-18-11	REVISED PER COUNTY COMMENTS ADD MODIFICATION NOTE

REGISTERED PROFESSIONAL ENGINEER
 No. 22553
 W. W. WILSON, III

PWH ENGINEERING CIVIL ENGINEERING SITE DEVELOPMENT
 3583 SOUTH COBB DRIVE • SMYRNA, GA 30080 • PH: 770-433-8190 • FAX: 770-433-8190

ISSUE FOR PERMIT: 01-27-09
 JOB No. 08180 | SCALE: 1"=30'

OWNER - DEVELOPER
Greater Atlanta Vedic Temple Society
 2189 SPENCERS WAY
 STONE MOUNTAIN, GA 30087
 PHONE: 678-662-6895

A NEW FELLOWSHIP BUILDING
Greater Atlanta Vedic Temple
 492 HARMONY GROVE ROAD LILBURN, GA 30247
 LL 115-6TH DISTRICT PARCEL 019A
 GWINNETT COUNTY, GEORGIA