



Department of Water Resources
Five Flow Test

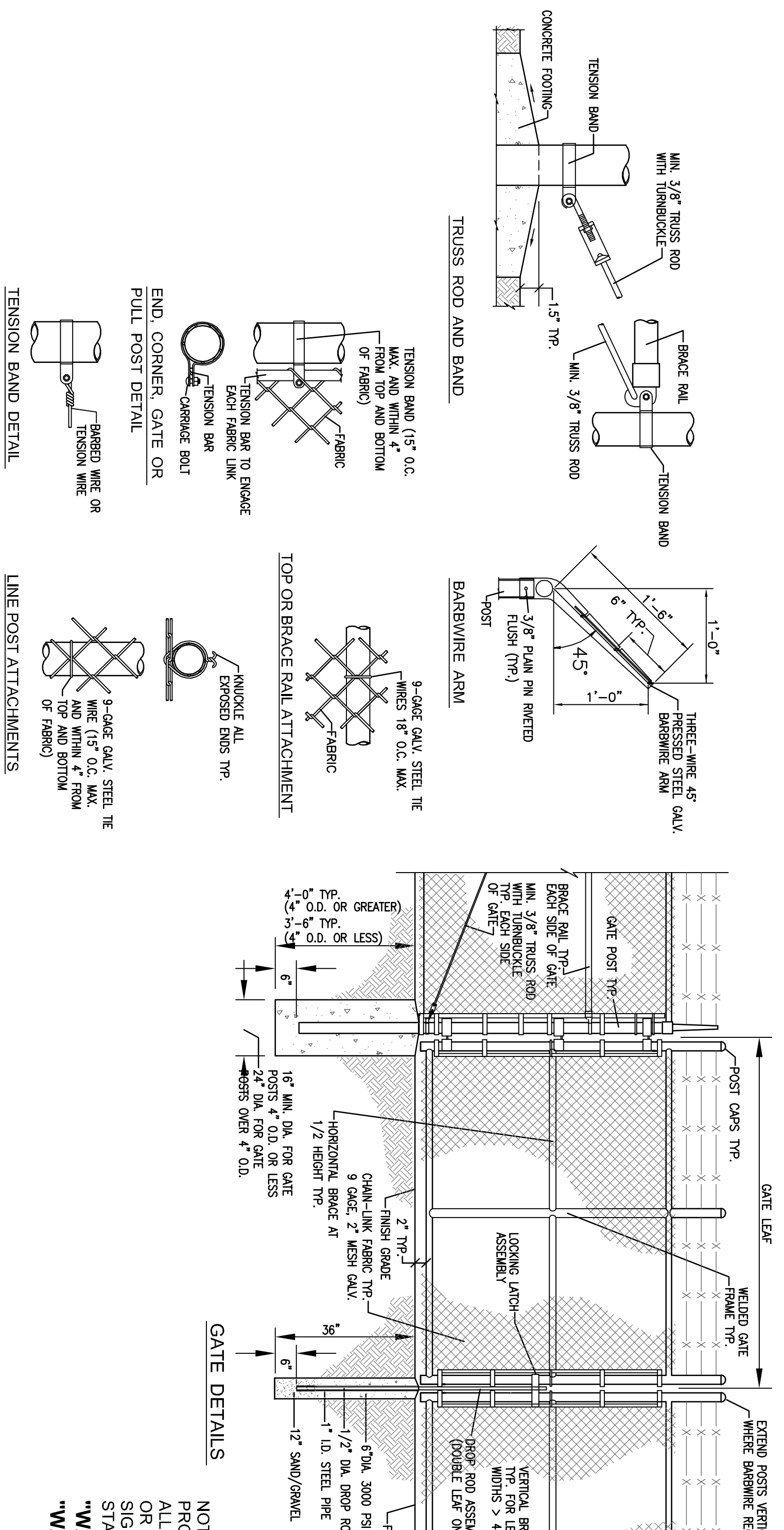
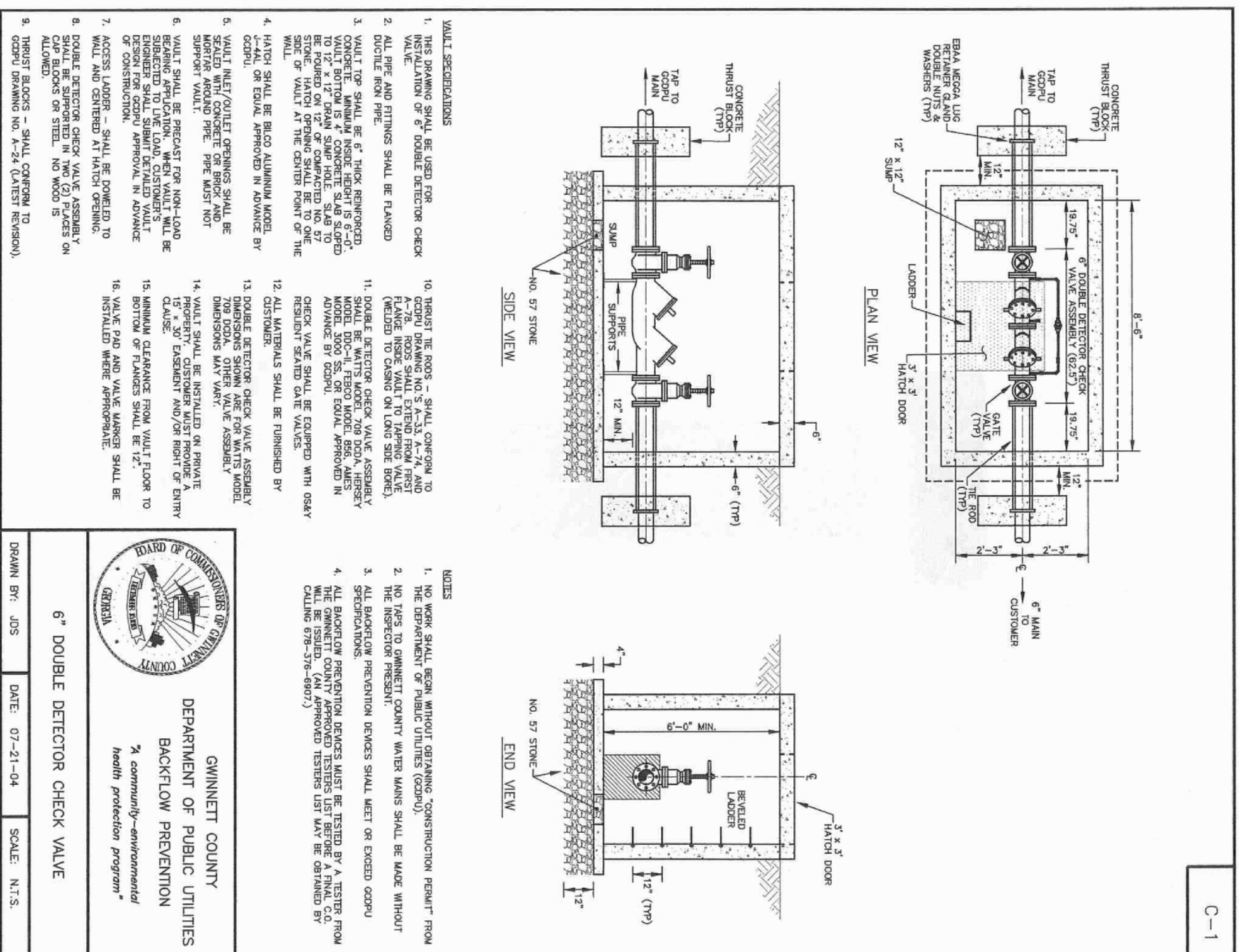
LOCATION: Harmony Grove Rd @ Redbridge Rd
 DATE: 12/12/2009
 MAP REFERENCE: 828 C-3
 LANDLOT: 118 DISTRICT: 6th SYSTEM: 507
 STATIC: 42 RESIDUAL: 30 TEST/FLOW: 180 FLOW @ 20: 2215
 MAIN SIZE: 6" NOTES: HYDRANT TID1: 4718
 S/R: 1st E of Redbridge Rd on Harmony Grove Rd HYDRANT TID2: 4718
 P: 2nd W of Redbridge Rd on Harmony Grove Rd HYDRANT TID2: 4718
 OBSERVER: F 04

Project: Five Flow Test
 TO: Pastor Hobby
 Co: Vennette
 FROM: [Signature]
 Title: [Signature]
 Phone: 7433-8194

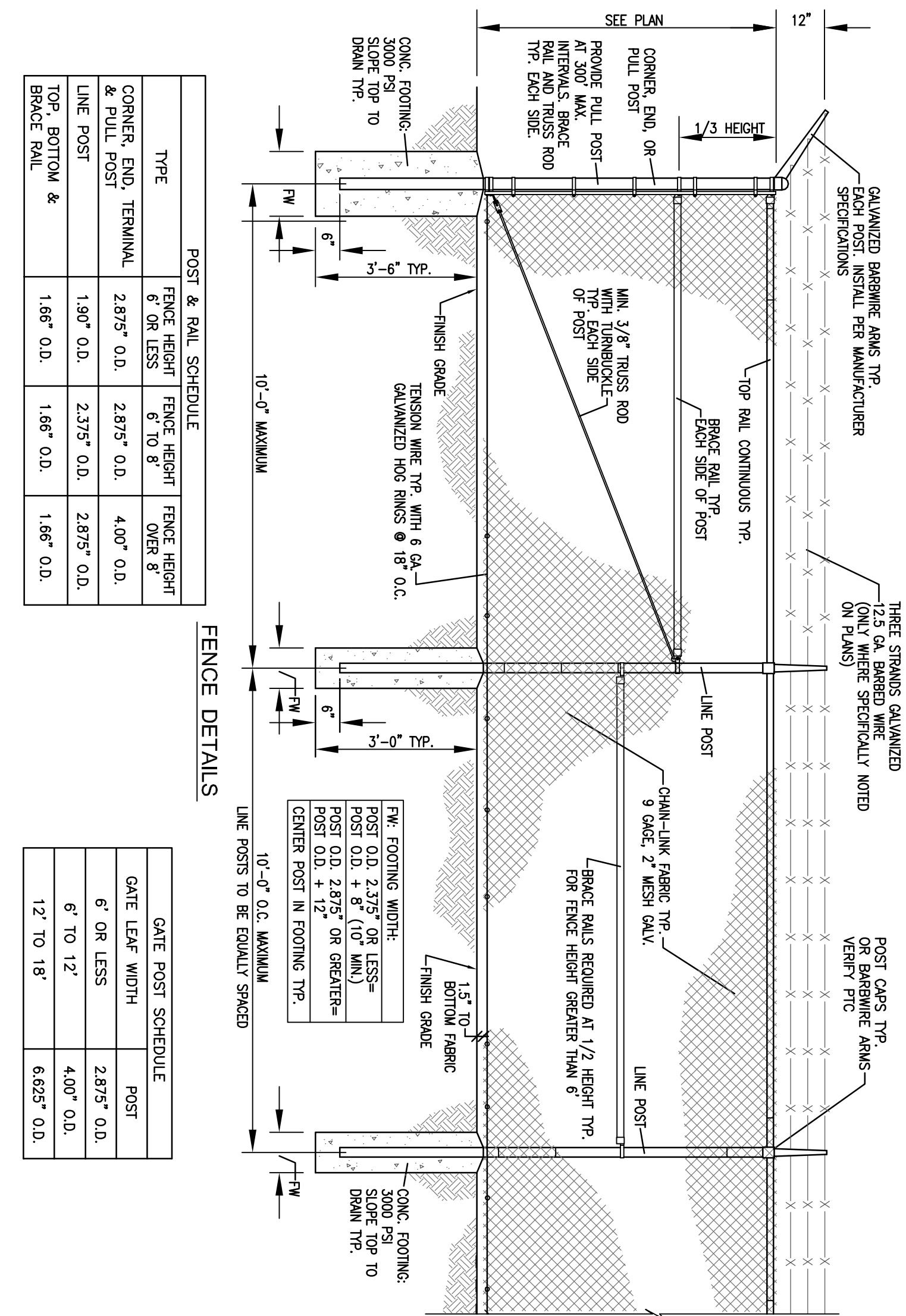
Madeby, December 14, 2009

Page 139 of 161

WATER FLOW TEST



NOTE: PROVIDE WARNING SIGNS AT 20 FEET ON CENTER FOR ALL FENCES AT DETENTION PONDS, POUNDS, BASINS OR OTHER WATER IMPOUNDMENT AREAS. WARNING SIGNS SHALL HAVE 2 INCH HEIGHT RED LETTERING "WARNING: DO NOT ENTER" "WATER IMPOUNDMENT AREA".



TYPE	POST & RAIL SCHEDULE	FENCE HEIGHT	FENCE HEIGHT OVER 8'
CORNER, END, TERMINAL & PULL POST	2.875" O.D.	2.875" O.D.	4.00" O.D.
LINE POST	1.897" O.D.	2.375" O.D.	2.875" O.D.
TOP, BOTTOM & BRACE RAIL	1.66" O.D.	1.66" O.D.	1.66" O.D.

TYPE	GATE POST SCHEDULE	POST
CORNER, END, TERMINAL & PULL POST	6" TO 12"	2.875" O.D.
LINE POST	6" TO 12"	4.00" O.D.
TOP, BOTTOM & BRACE RAIL	12" TO 18"	6.625" O.D.

A NEW FELLOWSHIP BUILDING
Greater Atlanta Vedic Temple
 492 HARMONY GROVE ROAD LILBURN, GA 30247
 LL 115-6TH DISTRICT PARCEL 019A
 GWINNETT COUNTY, GEORGIA

OWNER - DEVELOPER
Greater Atlanta Vedic Temple Society
 2189 SPENCERS WAY
 STONE MOUNTAIN, GA 30087
 PHONE: 678-662-6895

PWH ENGINEERING
 CIVIL ENGINEERING
 SITE DEVELOPMENT
 3583 SOUTH COBB DRIVE • SMYRNA, GA 30080 • PH: 770-433-8190 • FAX: 770-433-8190

ISSUE FOR PERMIT: 01-27-09
 JOB No. 08180 | SCALE:

REGISTERED PROFESSIONAL ENGINEER
 No. 22553
 PROFESSIONAL
 GWINNETT COUNTY, GA

DATE: 03-01-10
 REVISIONS: REVISED PER COUNTY COMMENTS

DATE: 05-28-10
 REVISIONS: REVISED PER COUNTY COMMENTS

DATE: 07-01-10
 REVISIONS: REVISED PER COUNTY COMMENTS

DATE: 03-10-11
 REVISIONS: REVISED PER COUNTY COMMENTS

DATE: 04-18-11
 REVISIONS: REVISED PER COUNTY COMMENTS ADD MODIFICATION NOTE