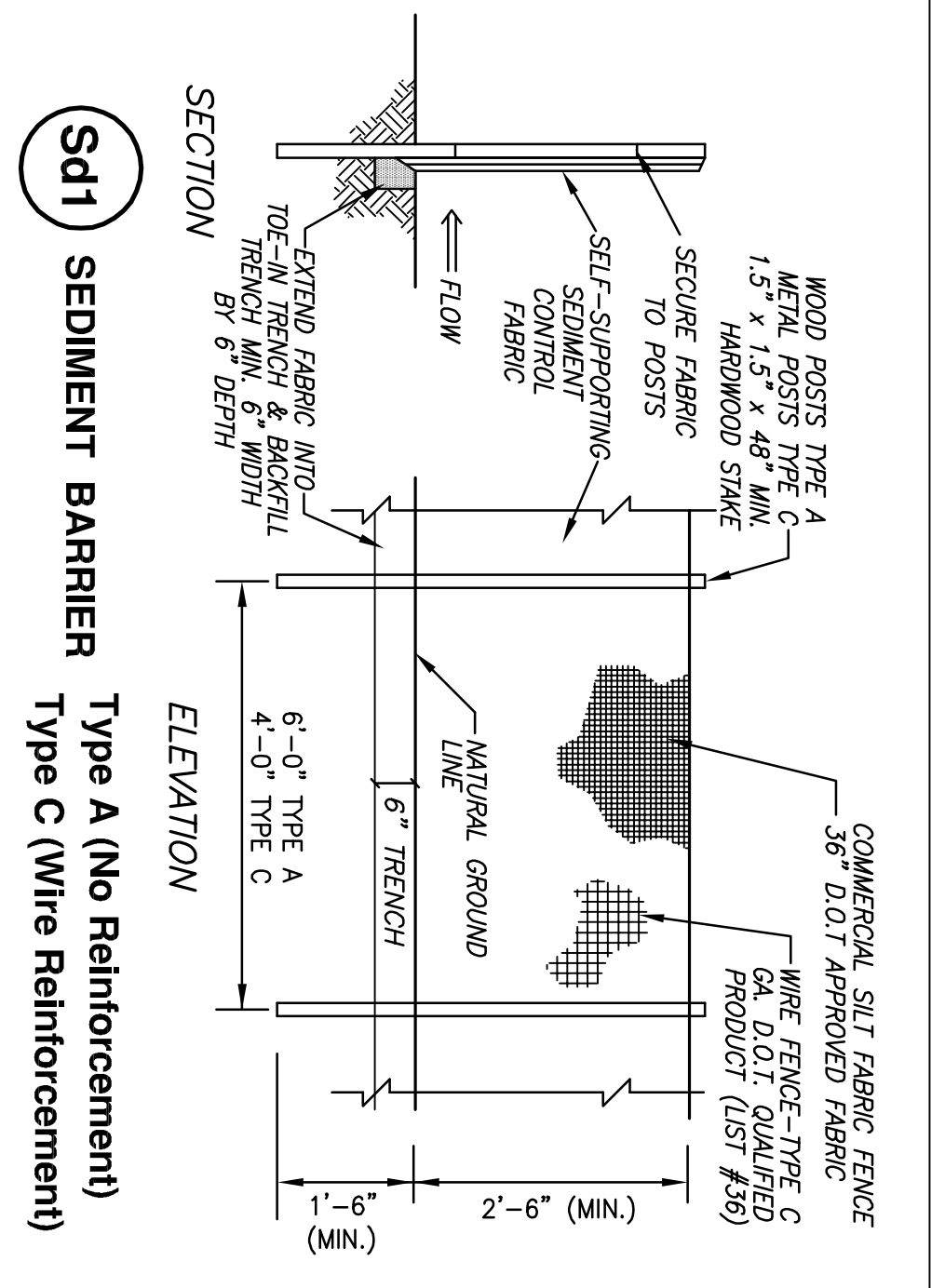


- NOTES:**
- USE 2-3 INCH WASHED STONE.
  - NO THICKNESS OF MIN. FILL WIDTH AT ALL POINTS OF VEHICULAR ENTRANCE AND EXIT AREA, WHICHEVER IS GREATER.
  - MIN. LENGTH 50 FT.
  - MIN. LENGTH 50 FT. AND MINIMUM WHICH WILL PERMIT TRACKING OF FLOW OF AUTO AND TRUCKS ROADS.

**Go CONSTRUCTION ENTRANCE / EXIT**



**Sd1 SEDIMENT BARRIER Type A (No Reinforcement) Type C (Wire Reinforcement)**

REFER TO THE "MANUAL FOR EROSION AND SEDIMENT CONTROL IN GEORGIA" FOR FURTHER DETAILS, LIME & FERTILIZER RATES, AND SPECIFICATIONS.

**DS1 DISTURBED AREA STABILIZATION (MULCHING ONLY)**

REFER TO THE "MANUAL FOR EROSION AND SEDIMENT CONTROL IN GEORGIA" FOR FURTHER DETAILS, LIME & FERTILIZER RATES, AND SPECIFICATIONS.

**DS3 DISTURBED AREA STABILIZATION (PERMANENT SEEDING)**

REFER TO THE "MANUAL FOR EROSION AND SEDIMENT CONTROL IN GEORGIA" FOR FURTHER DETAILS, LIME & FERTILIZER RATES, AND SPECIFICATIONS.

| SPECIES                       | Rate per 1000 S.F. | Rate per Acre | PLANTING DATES |           |          |
|-------------------------------|--------------------|---------------|----------------|-----------|----------|
|                               |                    |               | Mountain       | Piedmont  | Coastal  |
| Bermuda, Common Unhulled Seed | 0.2 LB             | 10 LB         | NO             | 10/1-3/1  | 11/1-2/1 |
| Bermuda, Common Hulled Seed   | 0.2 LB             | 10 LB         | NO             | 3/1-8/1   | 2/15-8/1 |
| Lepedezo, Sericea Unscorified | 1.7 LB             | 75 LB         | 1/1-12/1       | 1/1-12/1  | 1/1-12/1 |
| Lepedezo, Unscorified         | 1.7 LB             | 75 LB         | 1/1-12/1       | 1/1-12/1  | 1/1-12/1 |
| Loewgrass, Weeping            | 0.1 LB             | 4.0 LB        | 3/15-6/15      | 3/1-6/15  | 2/1-6/15 |
| Fescue, Tall                  | 1.1 LB             | 50 LB         | 8/1-11/1       | 8/15-11/1 | NO       |
| Switchgrass                   | 1.0 LB             | 40 LB         | 3/15-6/1       | 3/15-6/1  | 3/15-6/1 |
| Bahia                         | 1.4 LB             | 60 LB         | 1/1-12/1       | 1/1-12/1  | 1/1-12/1 |

**FERTILIZER REQUIREMENTS**

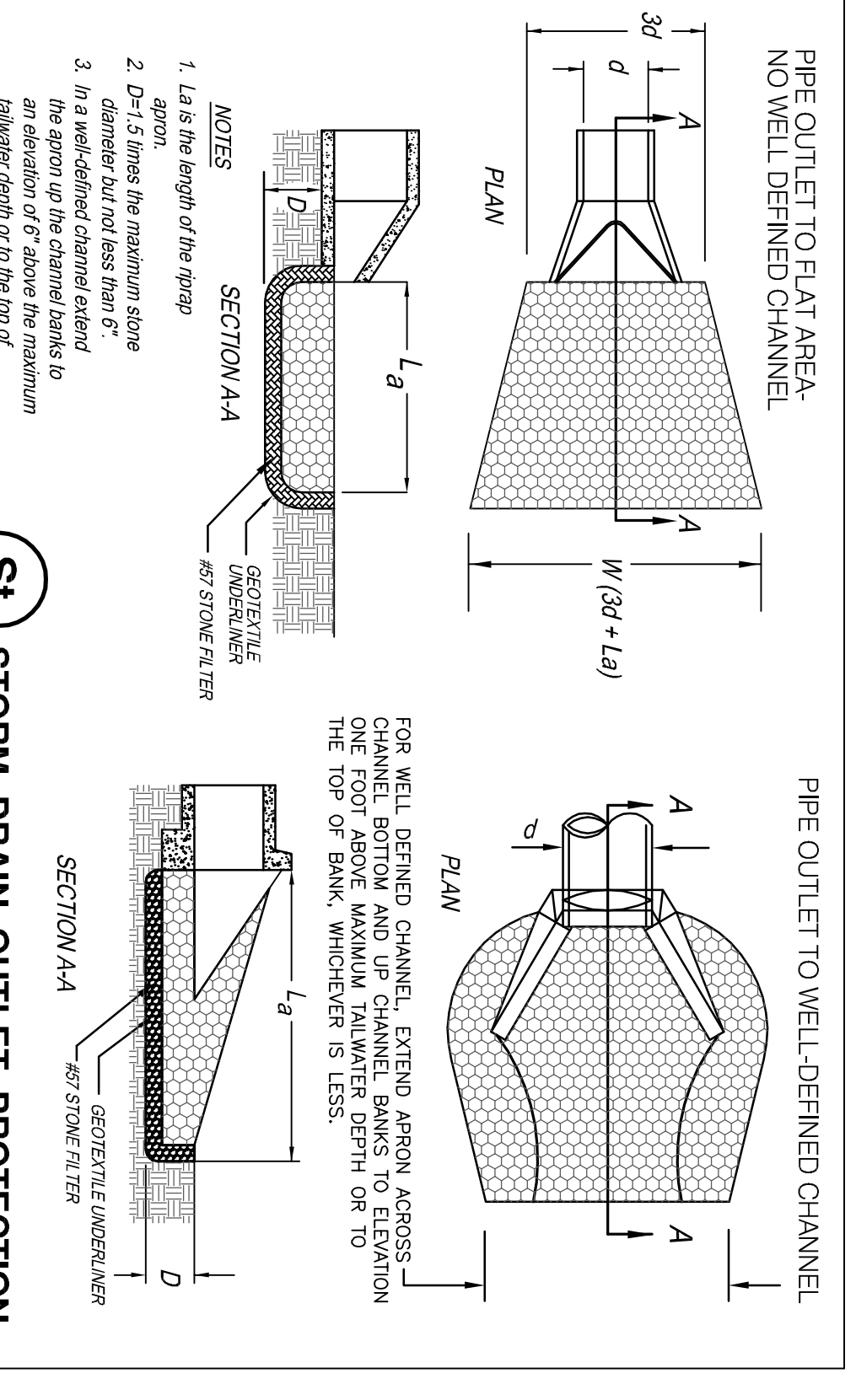
| SPECIES             | YEAR EQUIVALENT N-P-K          | RATE                             | TOP DRESSING RATE                                      |  |      |
|---------------------|--------------------------------|----------------------------------|--|--|------|
|                     |                                |                                  | N  | P  | K    |
| Cool season grasses | First<br>Second<br>Maintenance | 6-12-12<br>6-12-12<br>10-10-10   | 1500 lbs/acre<br>1000 lbs/acre<br>400 lbs/acre         | 50-100 lbs/acre<br>30-100 lbs/acre       | 1/2/ |
| Cool season legumes | First<br>Second<br>Maintenance | 6-12-12<br>6-12-12<br>10-10-10   | 1500 lbs/acre<br>1000 lbs/acre<br>400 lbs/acre         | 50-100 lbs/acre<br>30-100 lbs/acre<br>1/ |      |
| Ground covers       | First<br>Second<br>Maintenance | 10-10-10<br>10-10-10<br>10-10-10 | 1300 lbs/acre<br>1300 lbs/acre<br>1100 lbs/acre        | -<br>-<br>-                              |      |
| Pine seedlings      | First                          | 20-10-5                          | one 21-gram pellet per seedling placed in closing hole | -  |      |
| Shrub               | First<br>Maintenance           | 0-10-10<br>0-10-10               | 700 lbs/acre<br>700 lbs/acre                           | 4/<br>4/                                 |      |
| Lepedezo            | First                          | 10-10-10                         | 500 lbs/acre   | 30 lbs/acre                              | 5/   |
| Warm season grasses | First<br>Second<br>Maintenance | 6-12-12<br>6-12-12<br>10-10-10   | 1500 lbs/acre<br>800 lbs/acre<br>400 lbs/acre          | 50-100 lbs/acre<br>30-100 lbs/acre<br>2/ | 6/   |
| Warm season legumes | First<br>Second<br>Maintenance | 6-12-12<br>6-12-12<br>10-10-10   | 1500 lbs/acre<br>1000 lbs/acre<br>400 lbs/acre         | 50 lbs/acre                              | 6/   |

**LIME RATES AND ANALYSIS:**

- WHERE PERMANENT VEGETATION IS TO BE ESTABLISHED, AGRICULTURAL LIME SHALL BE APPLIED AS INDICATED BY SOIL TESTS OR AT THE RATE OF 1-2 TONS PER ACRE. AGRICULTURAL LIME SHALL BE WITHIN THE SPECIFICATIONS OF THE GEORGIA DEPARTMENT OF AGRICULTURE.
- LIME SPREAD BY CONVENTIONAL EQUIPMENT SHALL BE CALICATED OR EQUIVALENT GROUND LIME SHALL BE USED. SOIL pH OF 5.0 OR LESS SHALL BE CORRECTED TO A pH OF 6.0 OR MORE. LIME SHALL PASS THROUGH A 50-MESH SIEVE, AND NOT LESS THAN 25% WILL PASS THROUGH A 100-MESH SIEVE.
- LIME SPREAD BY HYDRAULIC SEEDING SHALL BE CALICATED OR EQUIVALENT FLUID GROUND LIME SHALL BE USED. SOIL pH OF 5.0 OR LESS SHALL BE CORRECTED TO A pH OF 6.0 OR MORE. LIME SHALL PASS THROUGH A 20-MESH SIEVE, AND NOT LESS THAN 70% WILL PASS THROUGH A 100-MESH SIEVE.
- IT IS DESIRABLE TO USE DOLOMITIC LIMESTONE IN THE SAND HILLS, SOUTHERN COASTAL PLAIN, AND ATLANTIC COAST FLATWOODS WILDS.

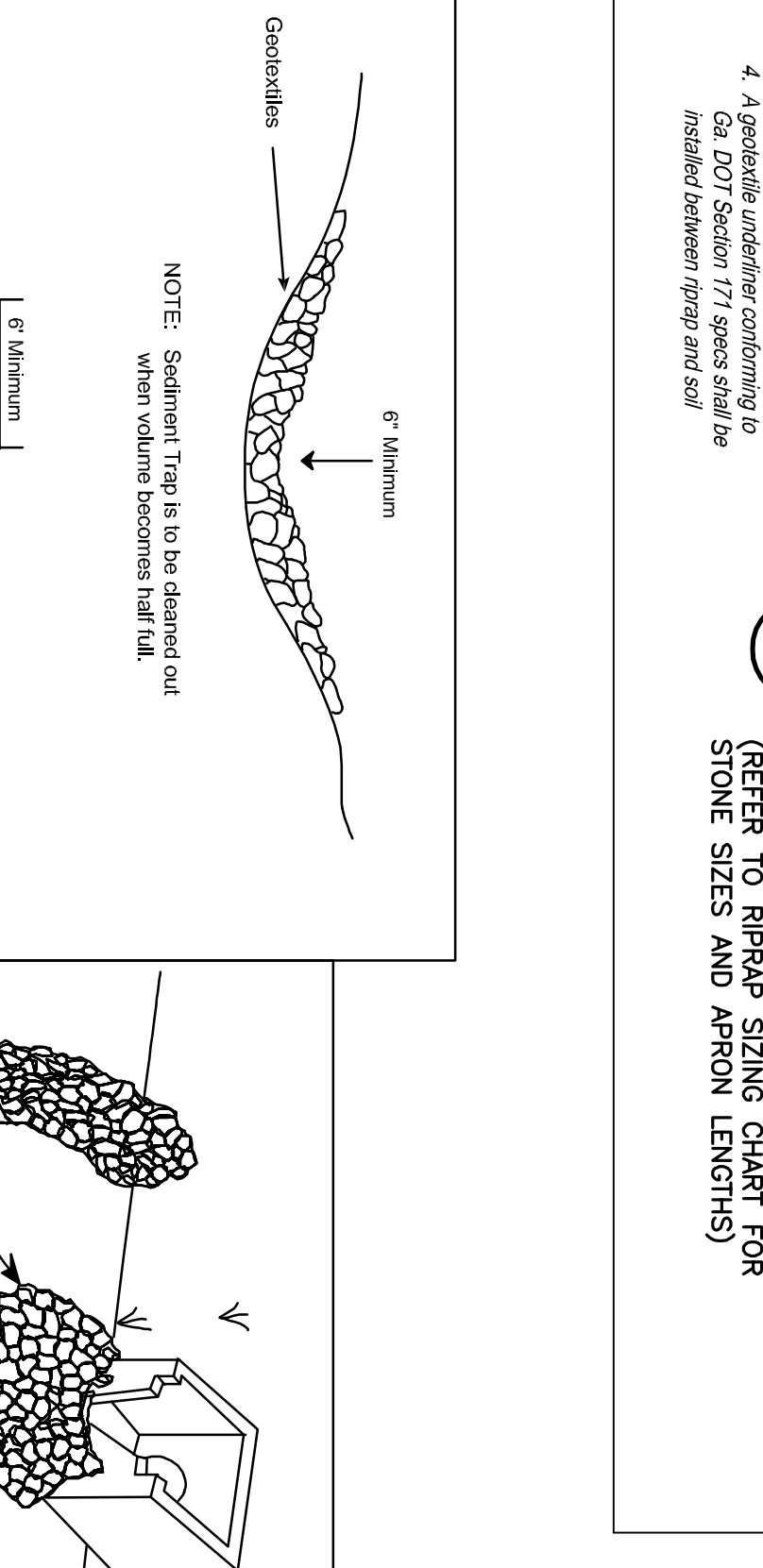
**MULCHING RATES:**

- USE MULCH ON ALL SLOPES STEEPER THAN 3 PERCENT WHERE SEEDINGS ARE MADE SO LATE IN THE FALL AND WINTER THAT GERMINATION CANNOT BE EXPECTED UNTIL SPRING IN THE BOTTOM OF SHELTERS, AND ON ROADWAYS.
- USE DRY STRAW OR DRY HAY OF GOOD QUALITY AND FREE OF WEED SEEDS. DRY STRAW WILL BE APPLIED AT A RATE OF 2 TONS PER ACRE. DRY HAY WILL BE APPLIED AT THE RATE OF 1 1/2 TONS PER ACRE.
- FOR PROLONGED SEEDING, USE WOOD CHIPS OR MULCH ON WOOD CHIP BEDS AT THE RATE OF 500 POUNDS PER ACRE, AND DRY STRAW OR DRY HAY AT THE RATE OF 2 TONS PER ACRE.
- USE THREE TONS PER ACRE OF SERVICIA LESPEDEZA HAY CONTAINING MAJORITY SEED, OR, 5, APPLY PINE STRAW OR PINE BARK AT A THICKNESS OF 3 INCHES. OTHER SUITABLE MATERIALS IN SUFFICIENT QUANTITY MAY BE USED WHERE ORNAMENTALS OR OTHER GROUND COVERS ARE PLANTED, OR.
- SOIL RETENTION BLANKETS, EROSION CONTROL NETTING, OTHER MANUFACTURED MATERIALS, OR MULCH MAY BE REQUIRED IN ADDITION TO MULCH ON UNSATURATED SOILS AND CONCENTRATED FLOW AREAS.



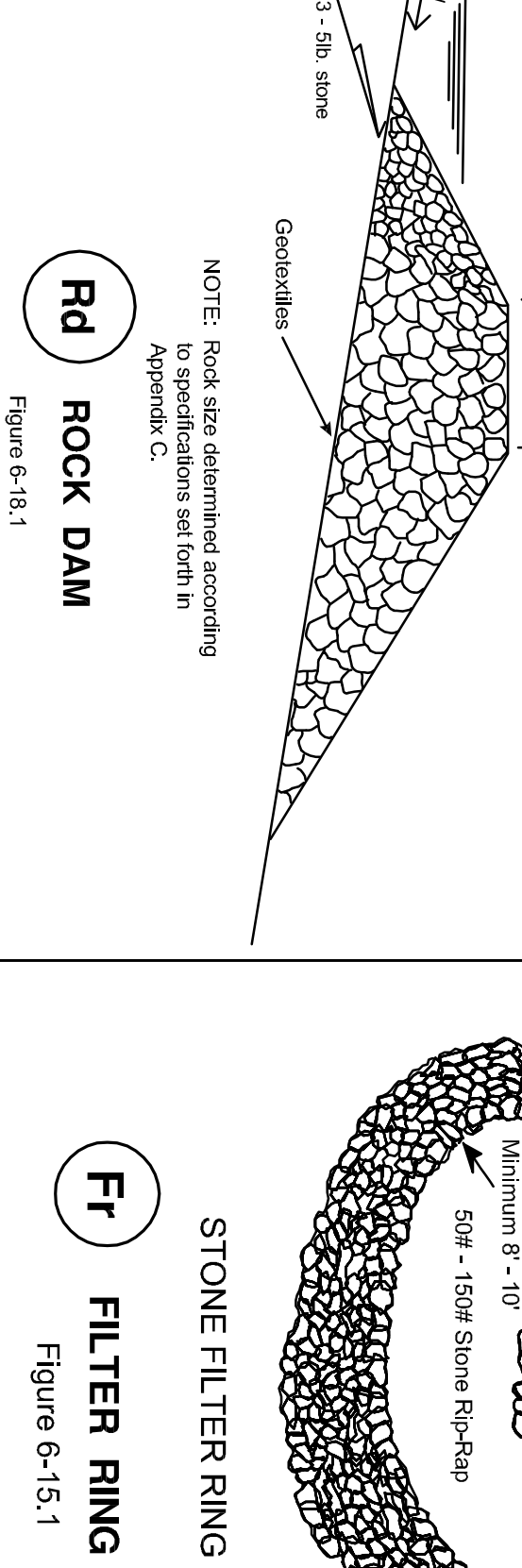
**St STORM DRAIN OUTLET PROTECTION**

(REFER TO RIPRAP SIZING CHART FOR STONE SIZES AND APRON LENGTHS)



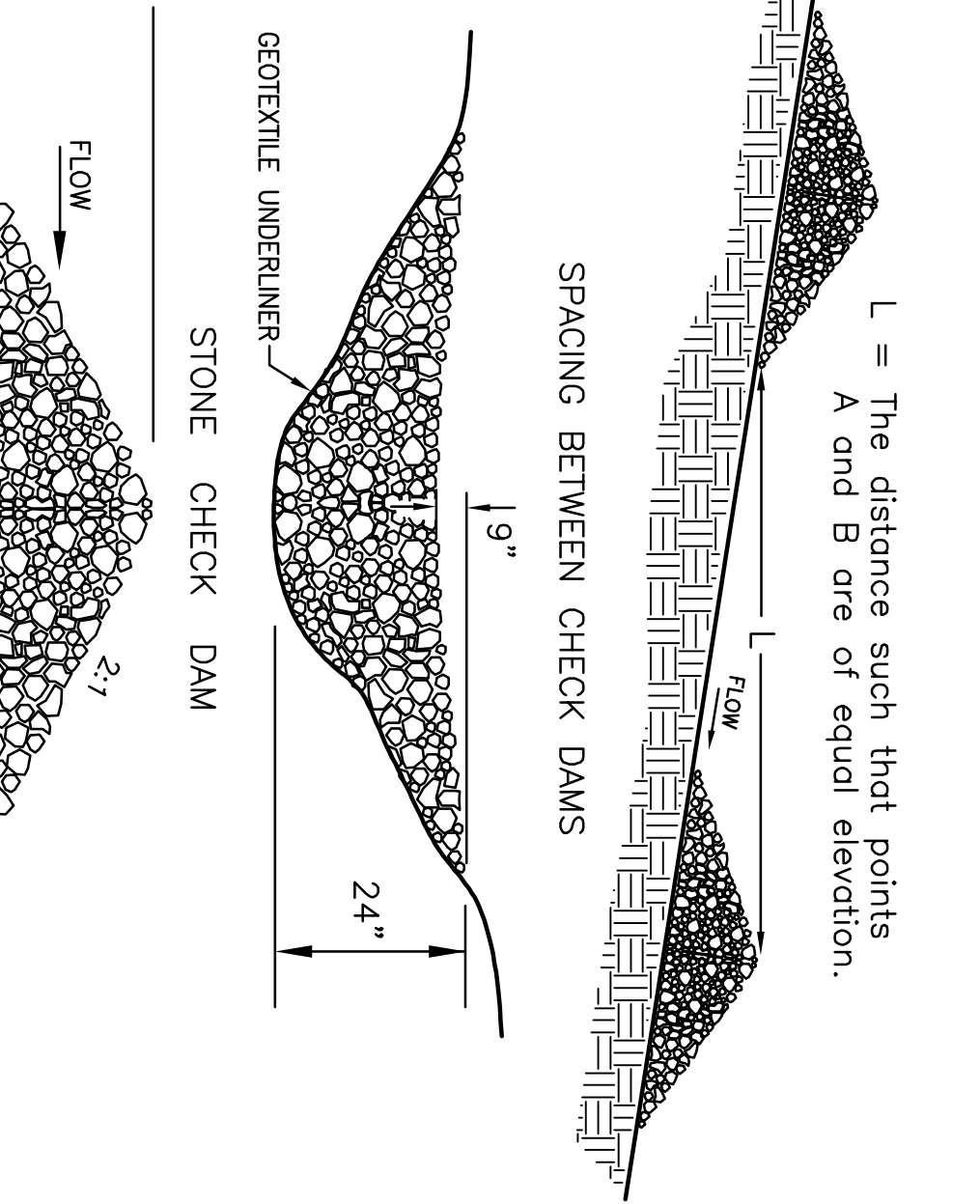
**Fr FILTER RING**

Figure 6-15.1

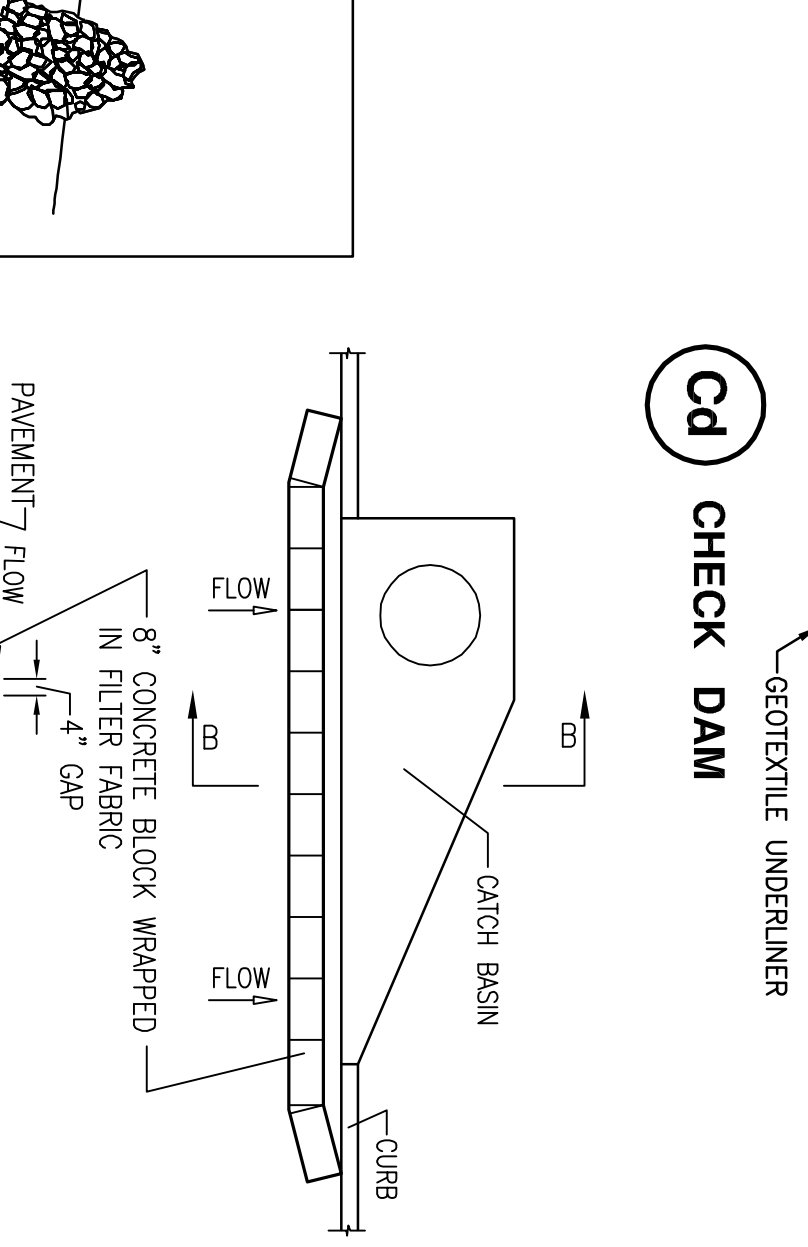


**Rd ROCK DAM**

Figure 6-18.1

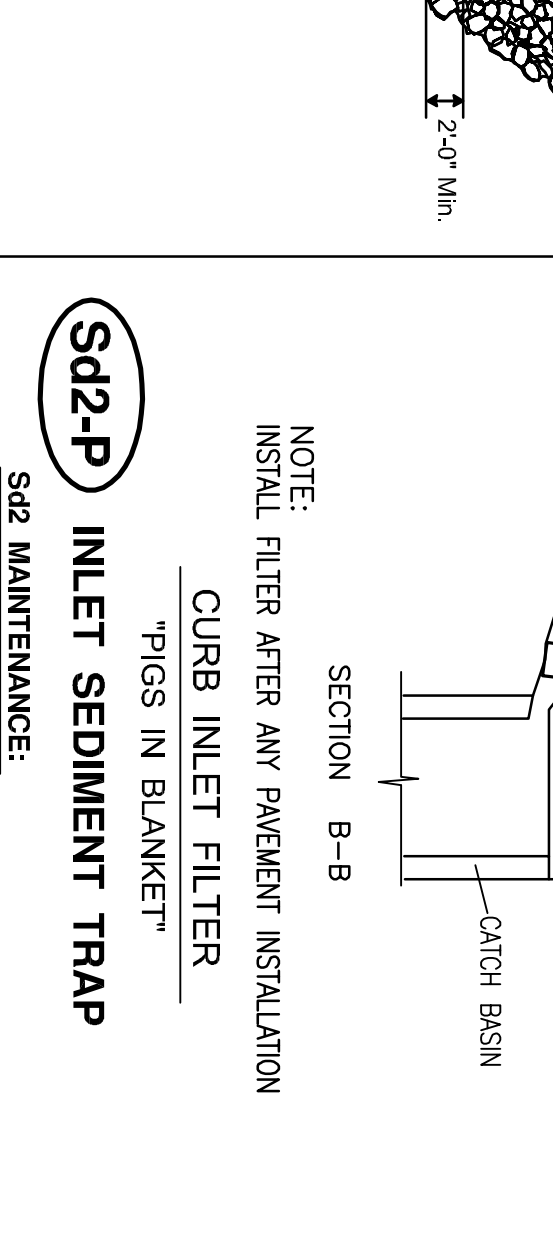


**Cd CHECK DAM**



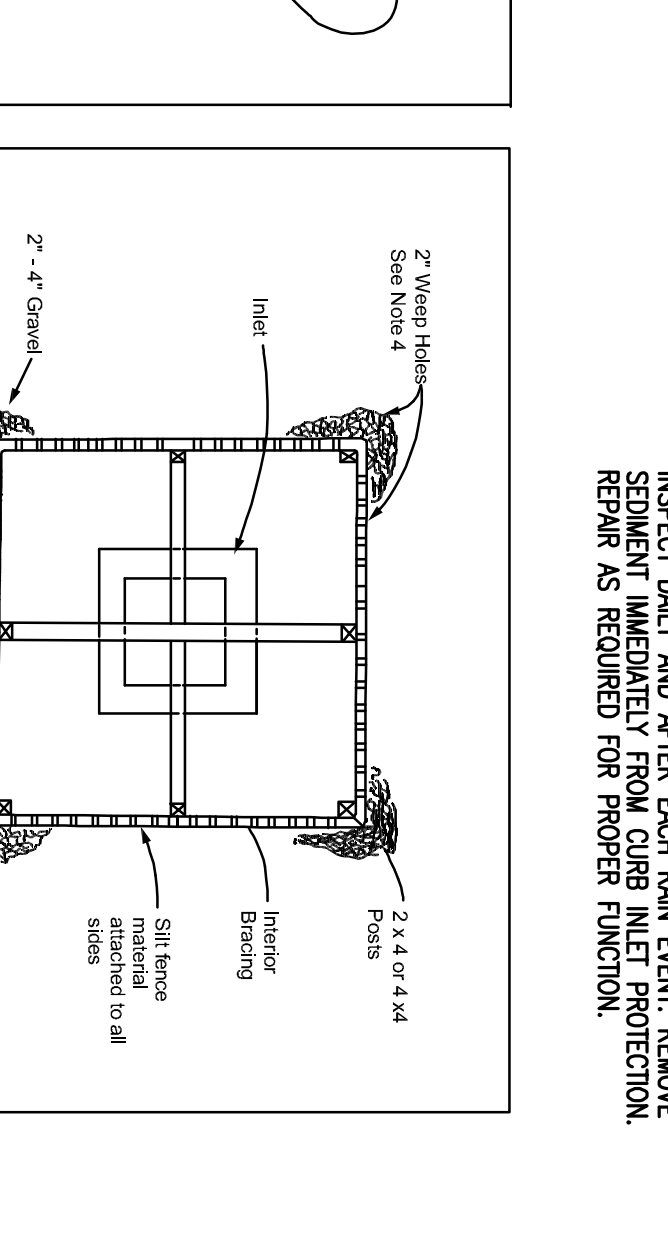
**Sd2-P INLET SEDIMENT TRAP**

"PIGS IN BLANKET"



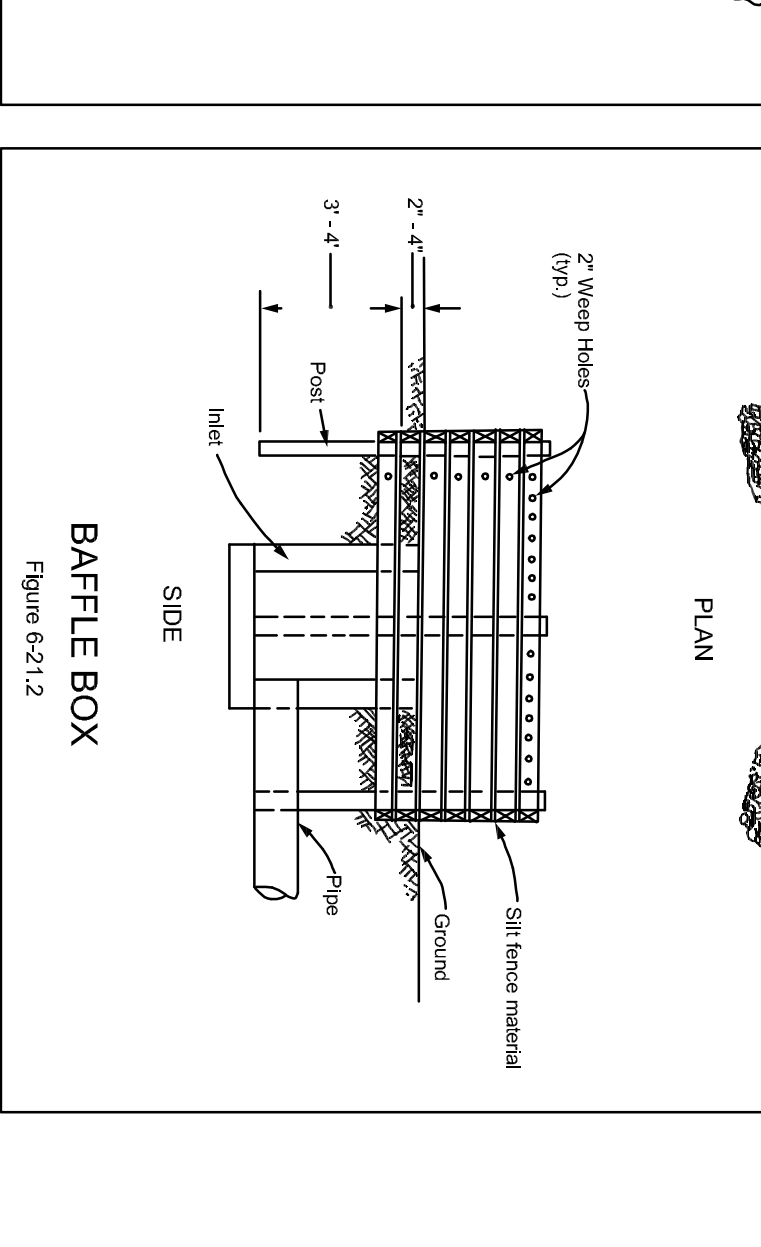
**Rt RETROFITTING**

Figure 6-19.3



**Sd2-B INLET SEDIMENT TRAP**

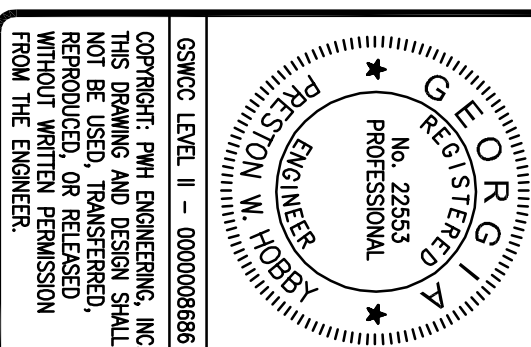
BAFFLE BOX



**Sd2-M MAINTENANCE**

INSPECT DAILY AND AFTER EACH RAIN EVENT. REMOVE SEDIMENT AT ONE-HALF TRAP HEIGHT. REPAIR AS REQUIRED FOR PROPER FUNCTION.

| DATE     | REVISIONS   |
|----------|---|
| 03-01-10 | REVISED PER COUNTY COMMENTS                       |
| 05-28-10 | REVISED PER COUNTY COMMENTS                       |
| 07-01-10 | REVISED DECEL LANE PER COUNTY COMMENTS            |
| 03-10-11 | REVISED PER COUNTY COMMENTS                       |
| 04-18-11 | REVISED PER COUNTY COMMENTS ADD MODIFICATION NOTE |



**PWH ENGINEERING** CIVIL ENGINEERING SITE DEVELOPMENT  
 3583 SOUTH COBB DRIVE • SMYRNA, GA 30080 • PH: 770-433-8190 • FAX: 770-433-8190  
 ISSUE FOR PERMIT: 01-27-09  
 JOB No. 08180 | SCALE:

**OWNER - DEVELOPER**  
**Greater Atlanta Vedic Temple Society**  
 2189 SPENCERS WAY  
 STONE MOUNTAIN, GA 30087  
 PHONE: 678-662-6895

**A NEW FELLOWSHIP BUILDING**  
**Greater Atlanta Vedic Temple**  
 492 HARMONY GROVE ROAD LILBURB, GA 30247  
 LL 115-6TH DISTRICT PARCEL 019A  
 GWINNETT COUNTY, GEORGIA

**EROSION CONTROL DETAILS**  
**C6.6**